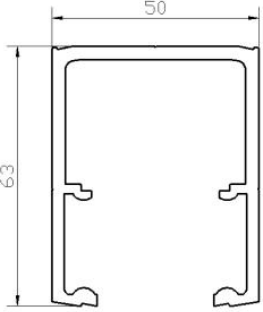
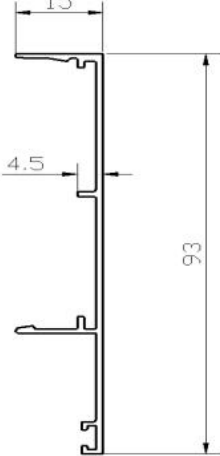
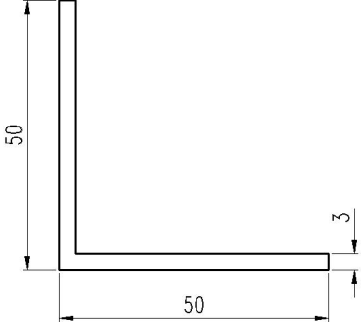
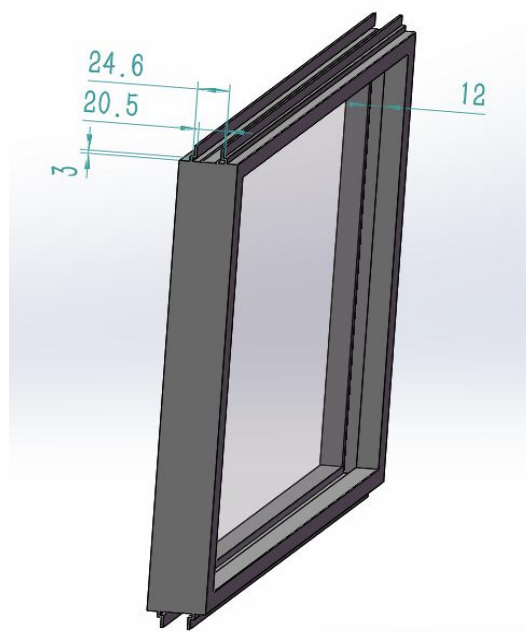


50*63 Single-track narrow border hanging door installation instructions

1.Profile introduction

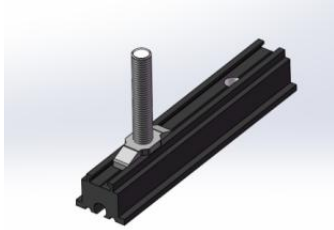
Track	Cover plate	Side mounting angle aluminum (optional)
		

2.Door panel view

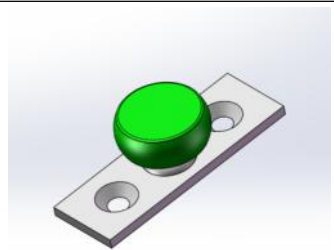
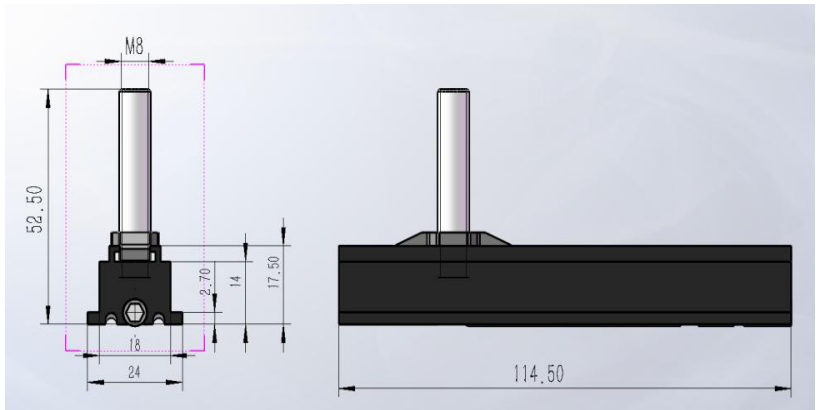


Narrow border door

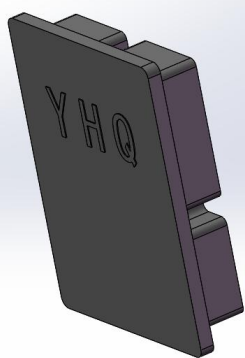
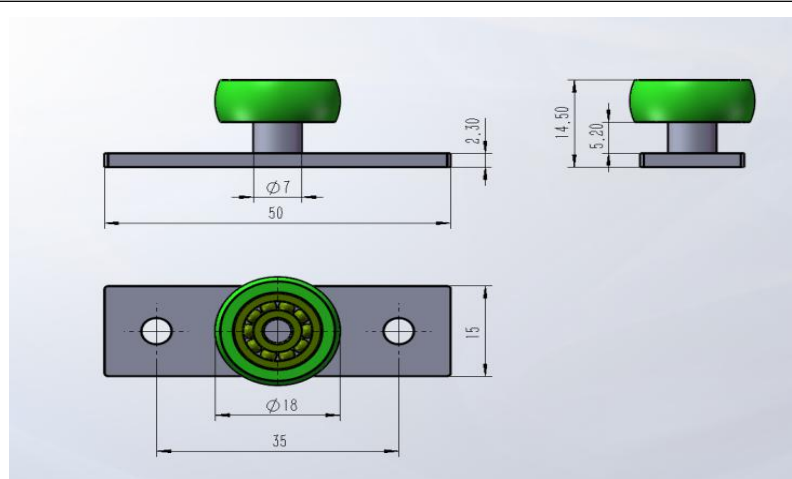
3.Accessory



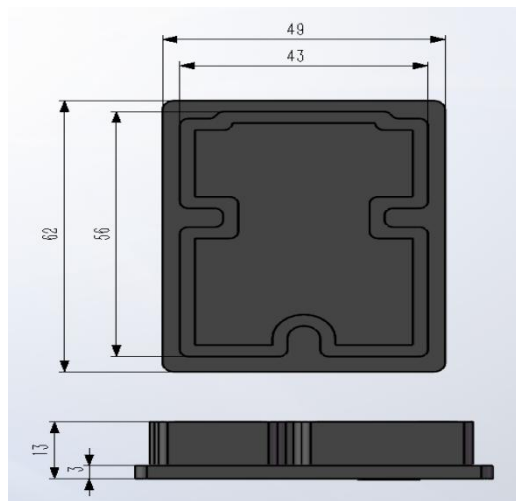
25 Upper load-bearing hanger



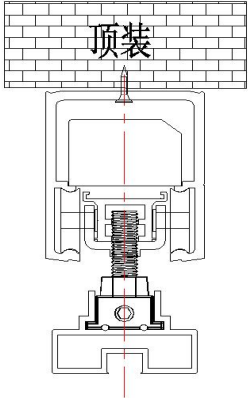
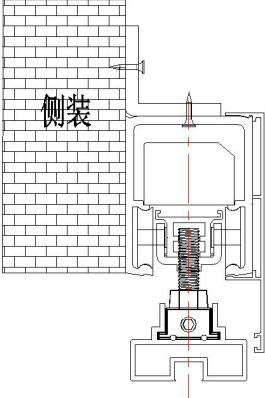
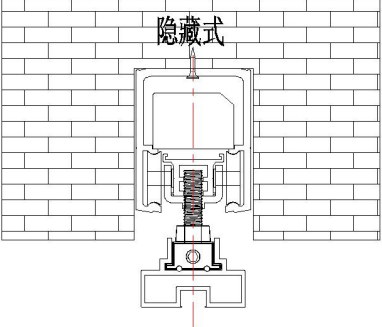
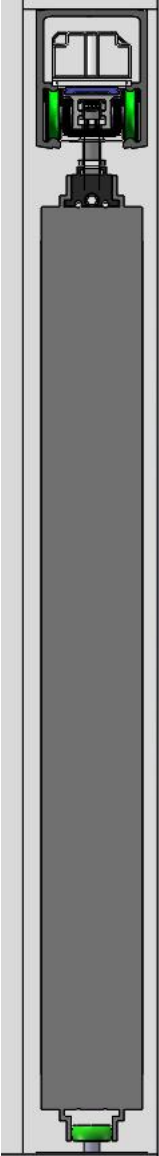
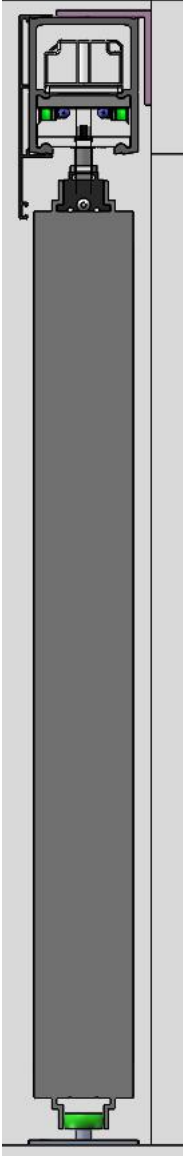
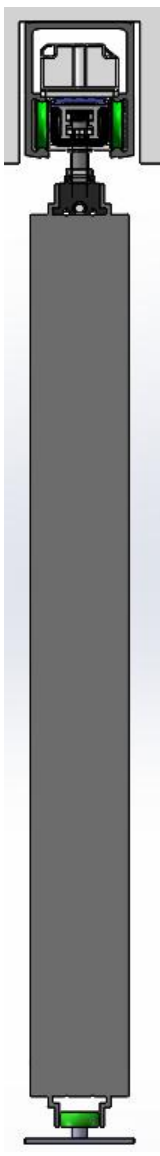
Anti-swing wheel



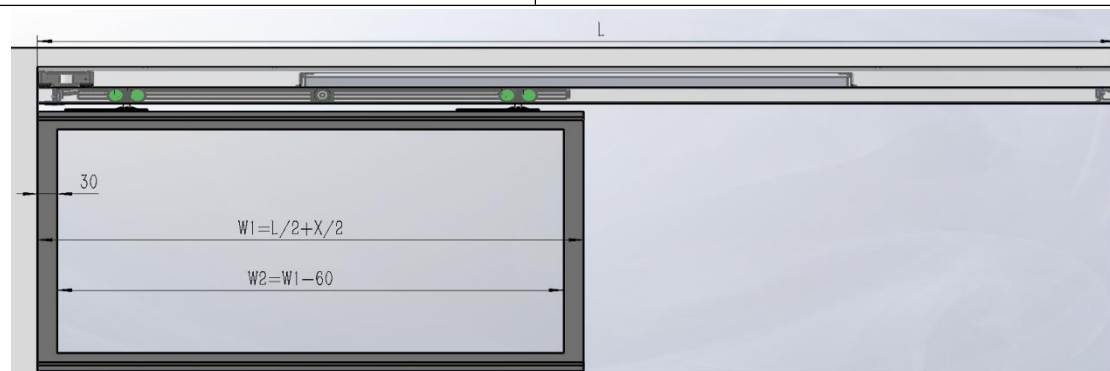
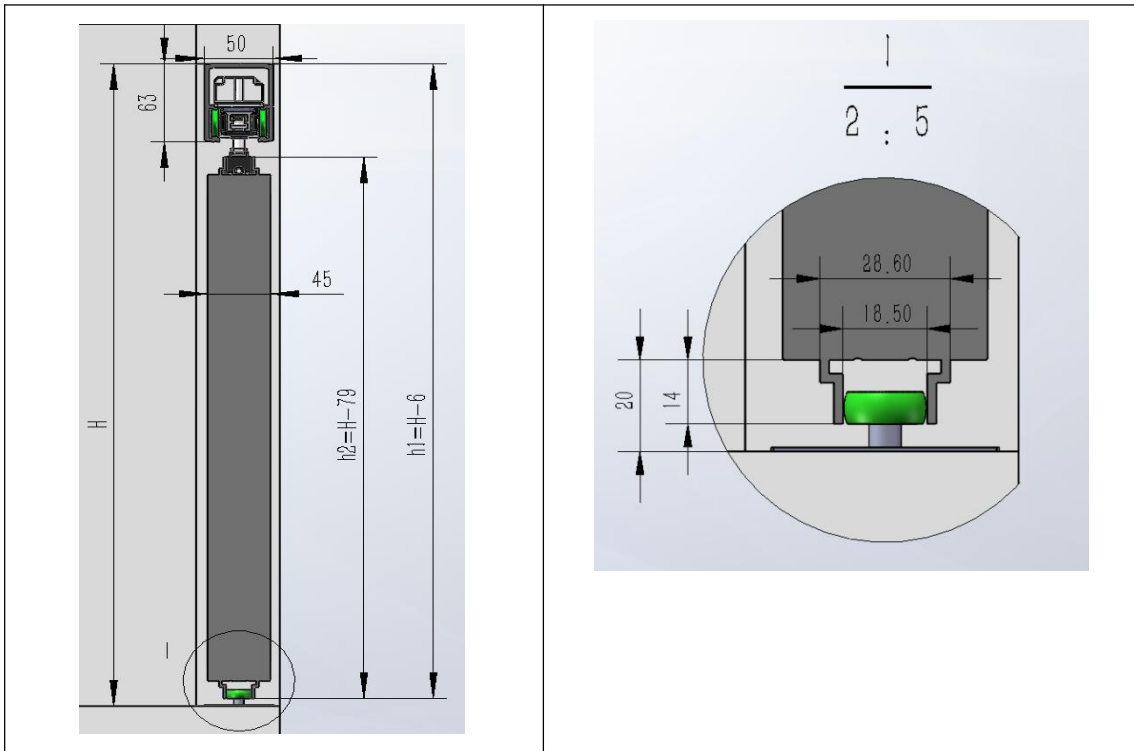
Track end cover



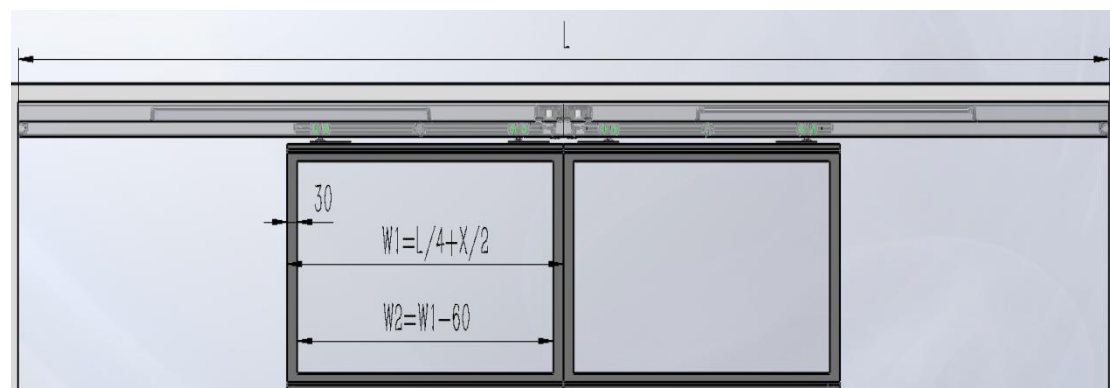
4. Installation mode

Top installation diagram	Side mounting diagram	Hidden mounting diagram
 <p>顶装</p>	 <p>侧装</p>	 <p>隐藏式</p>
		

5. Installation parameters



Single-track single-open



Single-track double-open

W: Door panel width

L: Track length

X: Overlapping part of two doors