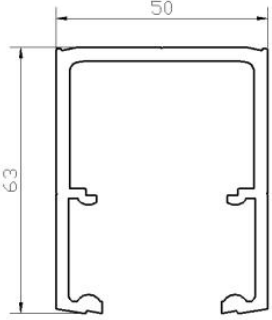
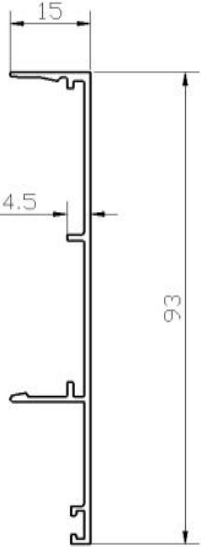
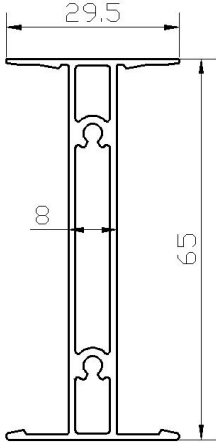


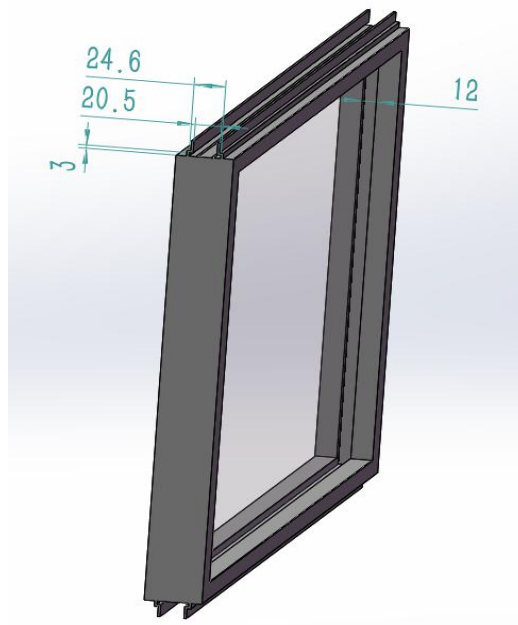
50*63 Narrow border hanging doors- telescopic

1+2(three tracks) installation instructions

1.Profile introduction

Track	Cover plate	H Shape piece
		

2.Door panel view

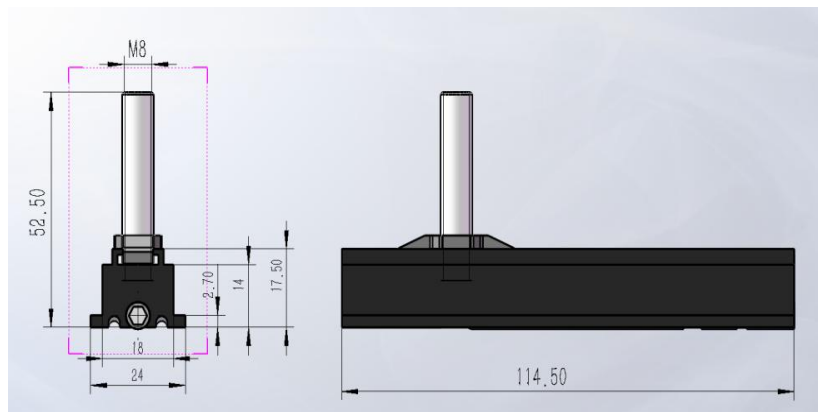


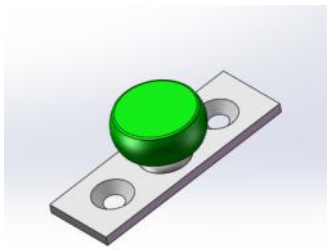
Narrow border door

3 .Accessory

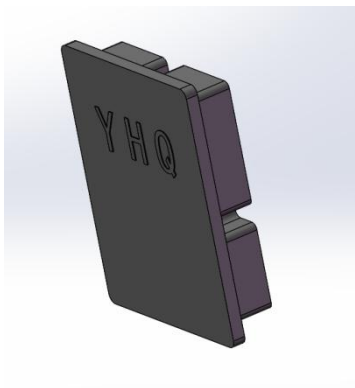
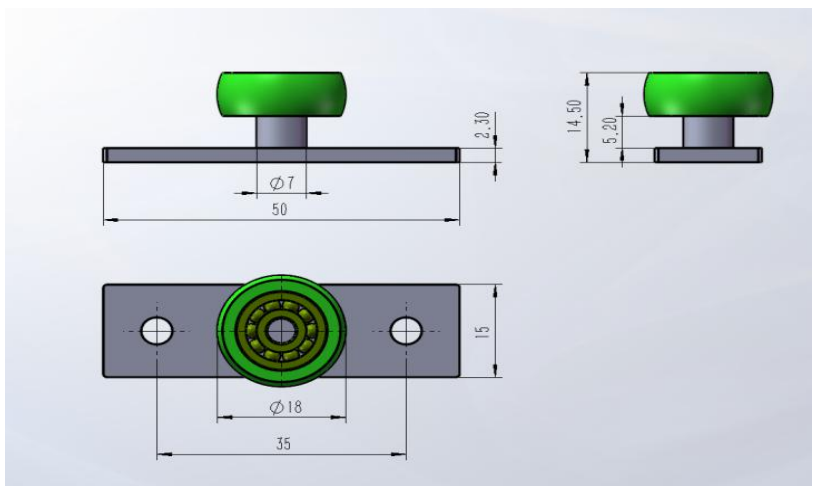


25 Upper load-bearing hanger

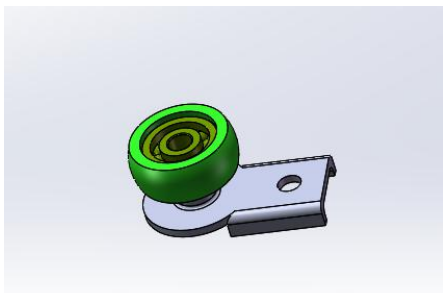
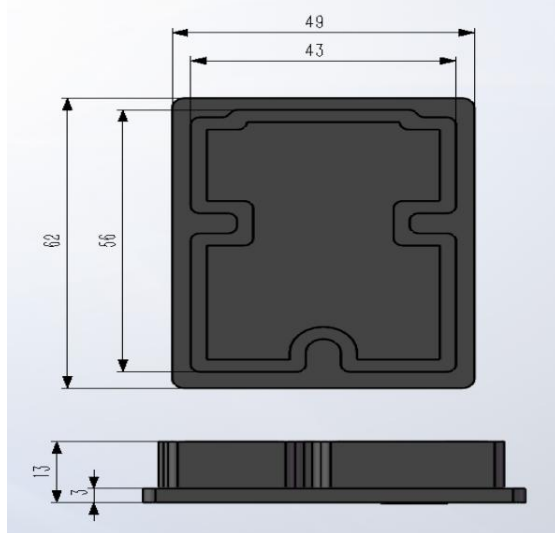




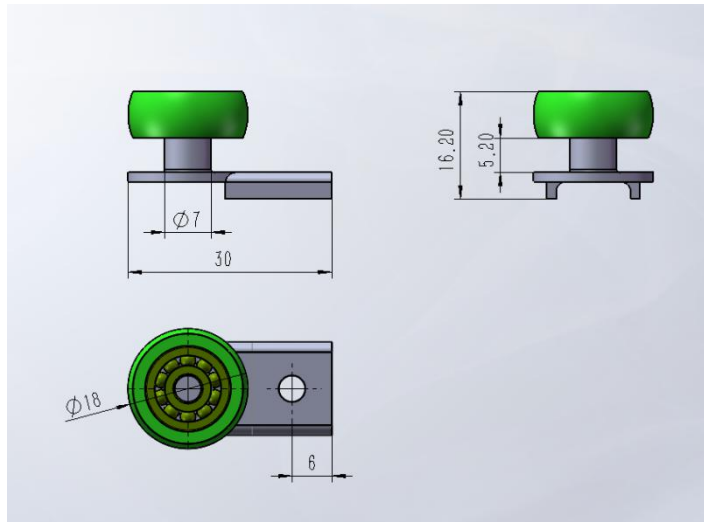
Anti-swing wheel

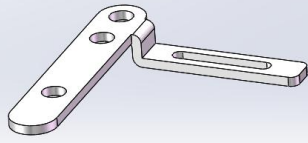


Track end cover

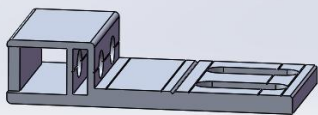
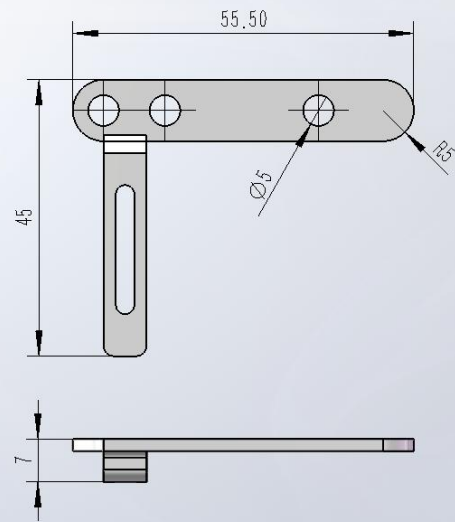


L shape anti-swing wheel

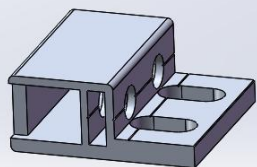
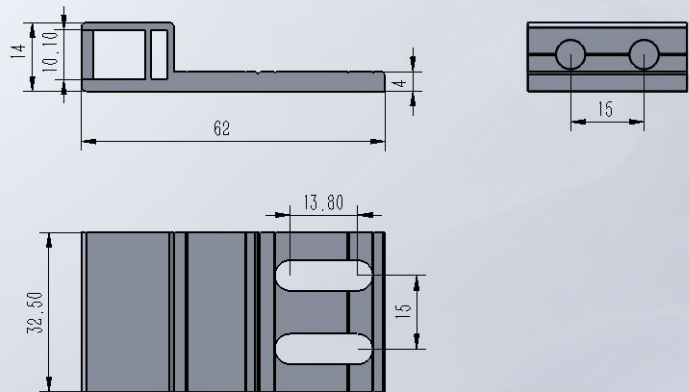




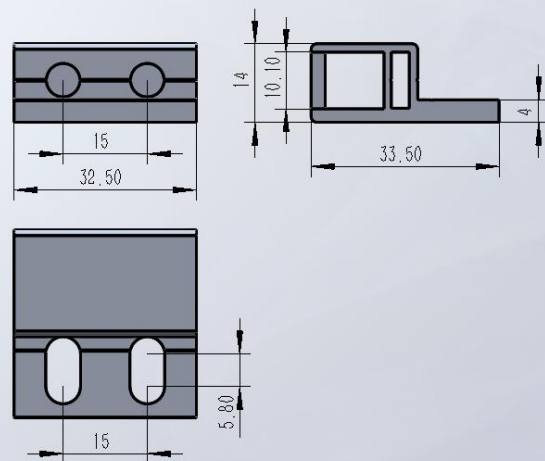
L-type anti swing wheel assembly

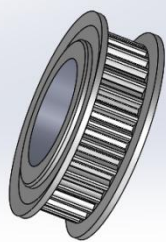


Strip linkage item

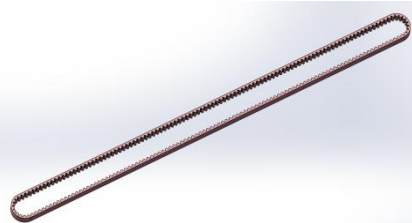
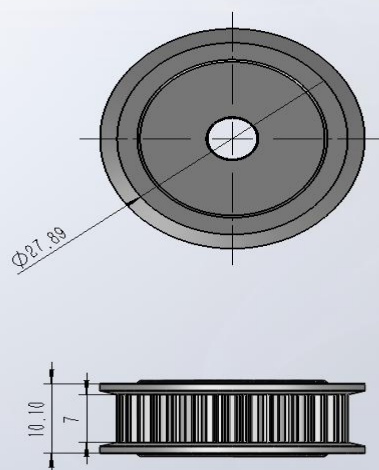


Fixed linkage item

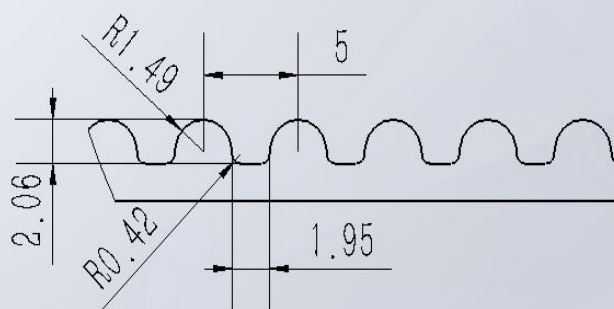




Linkage wheel

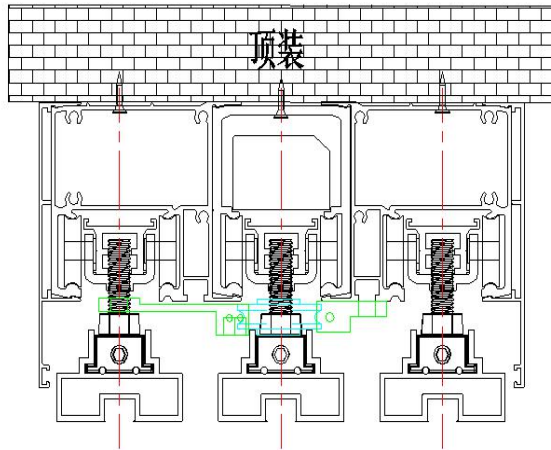


Synchronous belt (5M)

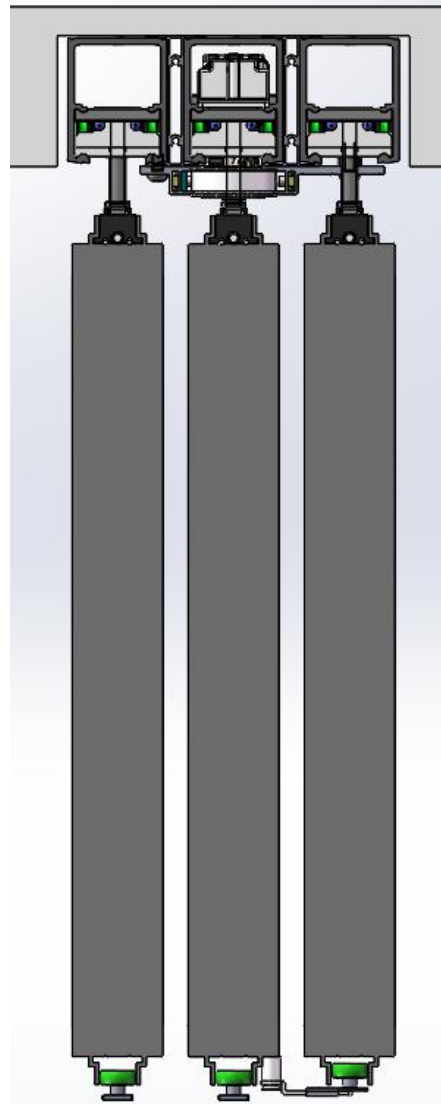
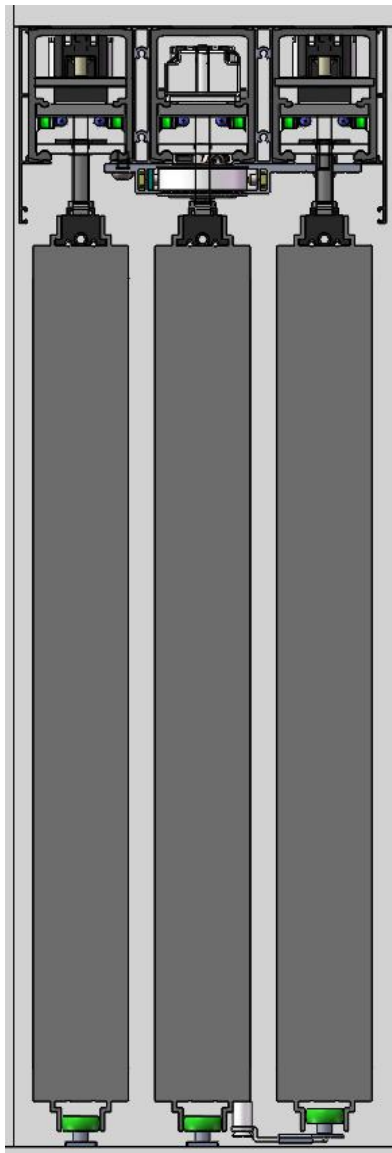
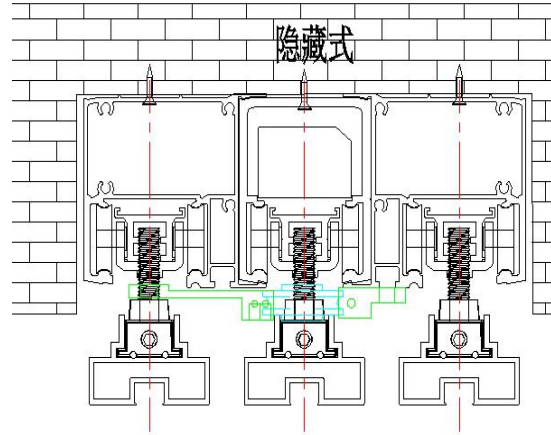


4. Installation mode

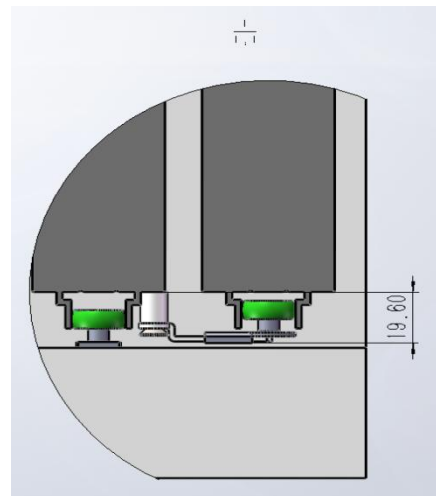
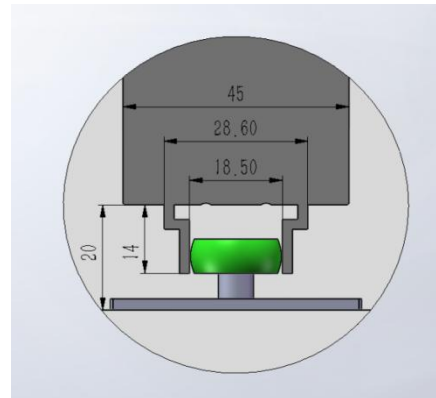
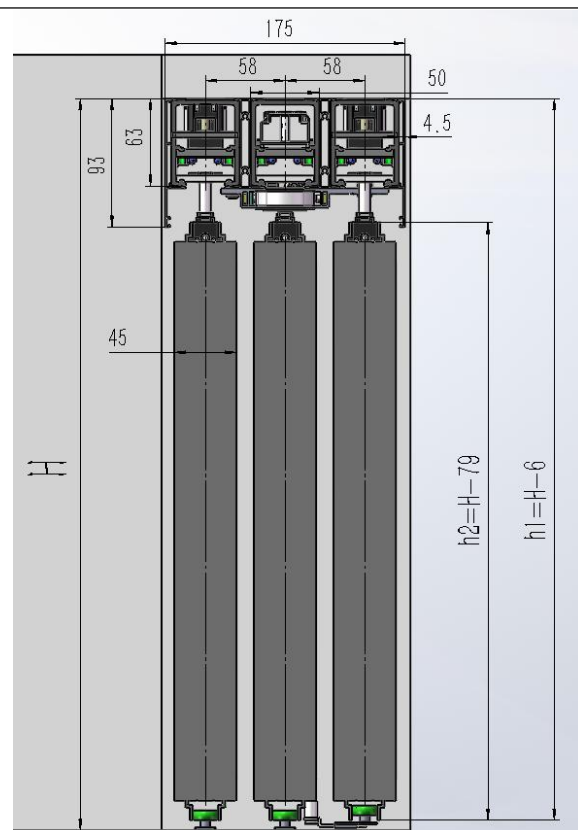
Top installation diagram



Hidden mounting diagram

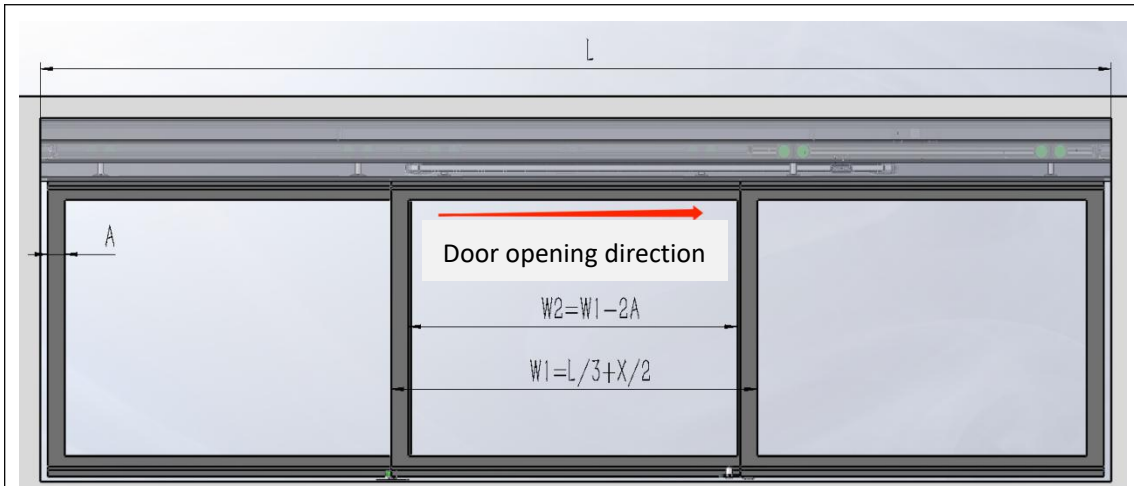


5. Installation parameters

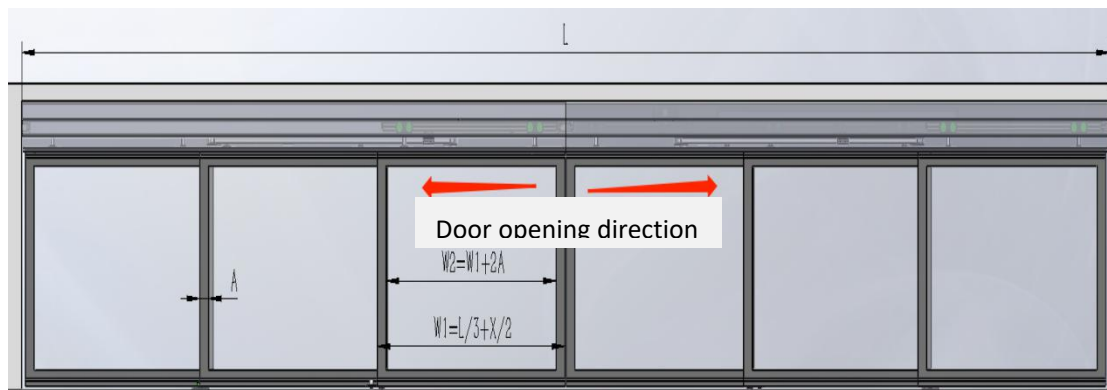


Calculation formula: frame size = Center distance + track width + two cover plate thickness
 (The center distance and frame size can be adjusted according to requirements)

For example: center distance: 58mm, frame size: 175mm; cover plate thickness: 4.5mm
 Then: Frame size 175mm = center distance 58 * 2 + track width 50 + cover plate thickness 4.5 * 2



Telescopic 1+2(three tracks) ,single open track



Telescopic 1+2(three tracks) ,double open track

- W: Door panel width
- L: Track length
- X: Overlapping part of two doors
- A: Door frame width