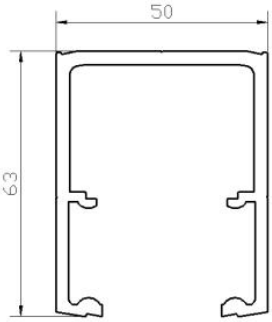
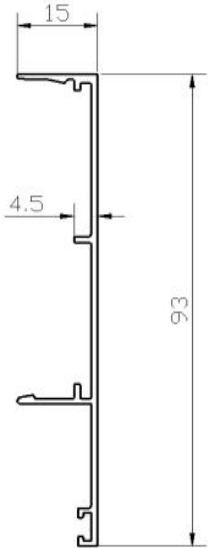
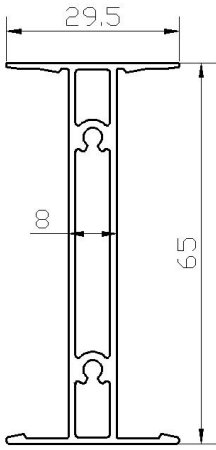
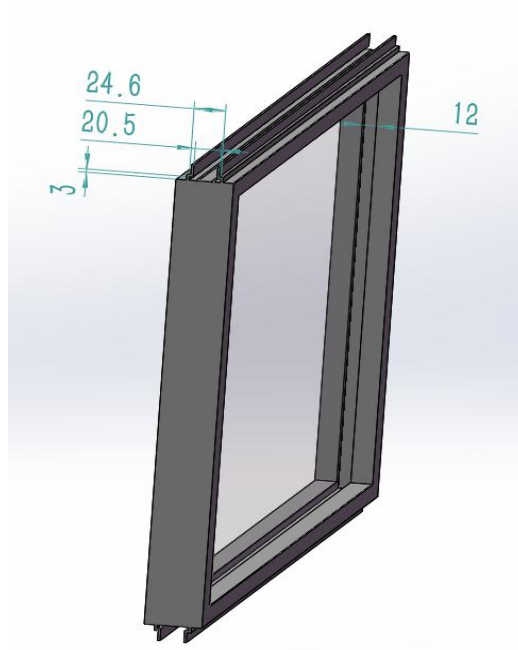


50*63 Double-track narrow border hanging door installation instructions

1.Profile introduction

Track	Cover plate	H shape piece
		

2.Door panel view

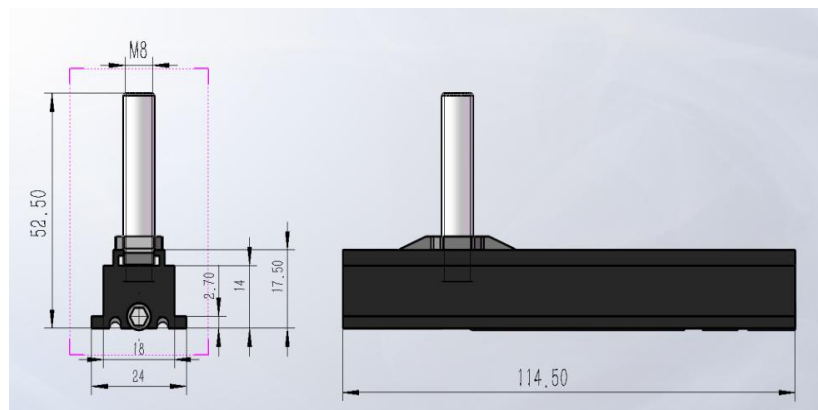


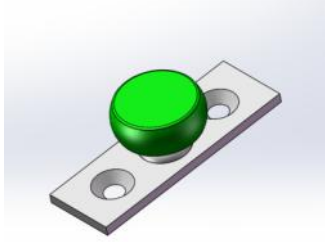
Narrow border door

3.Accessory

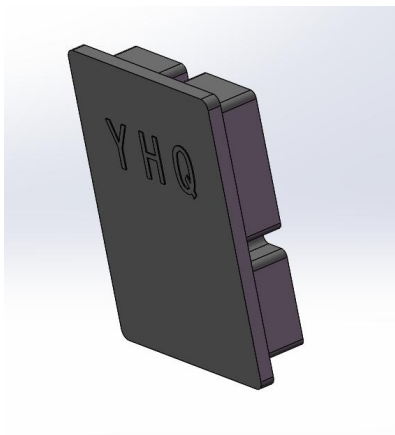
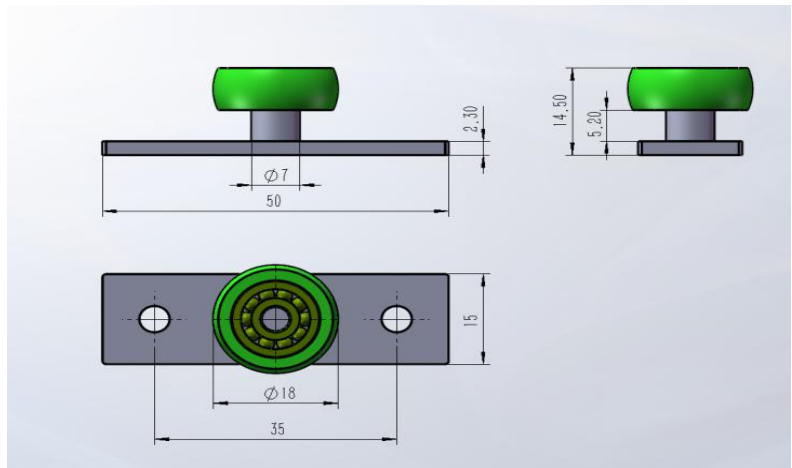


25 Upper load-bearing hanger

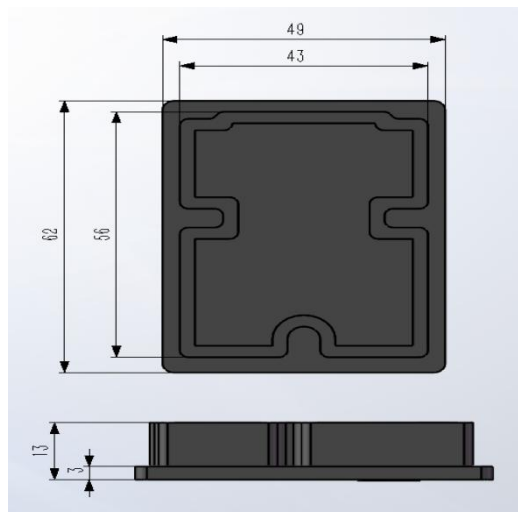




Anti-swing wheel

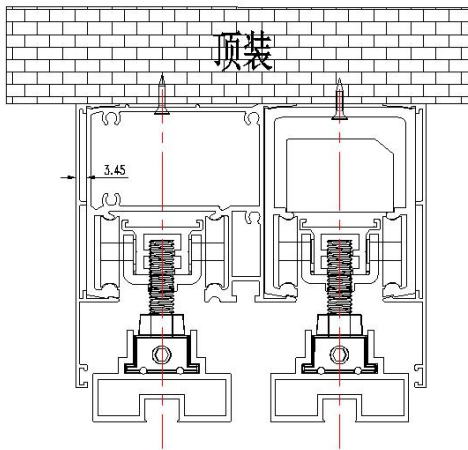


Track end cover

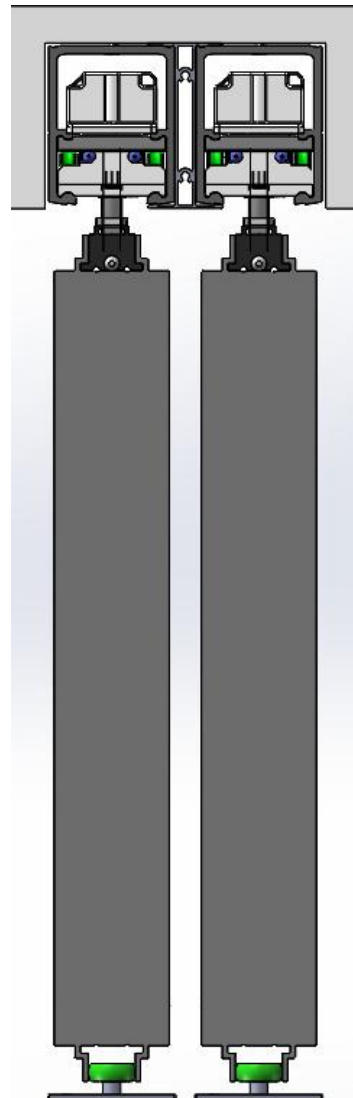
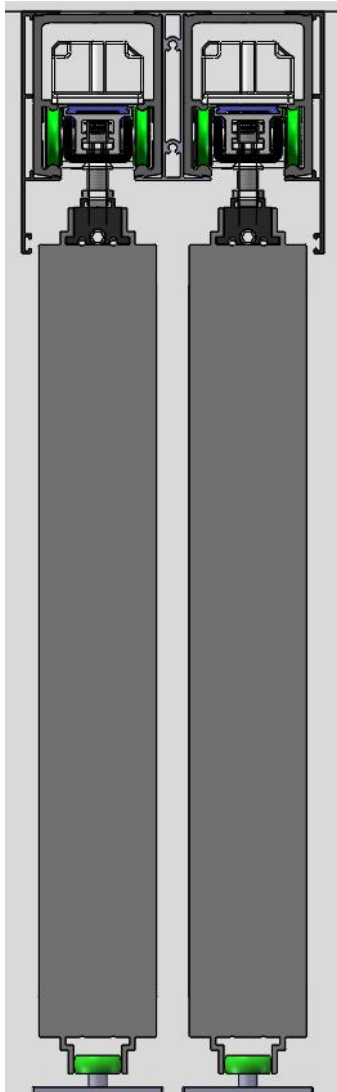
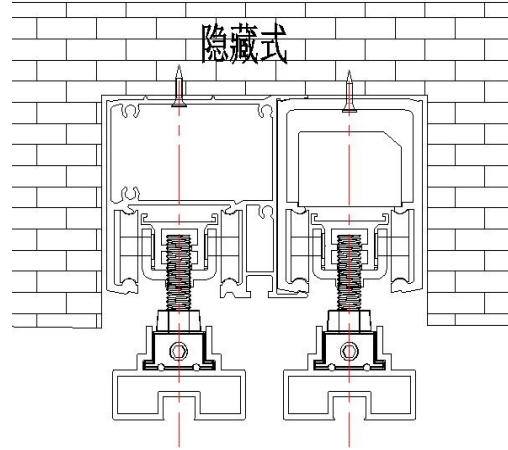


4. Installation mode

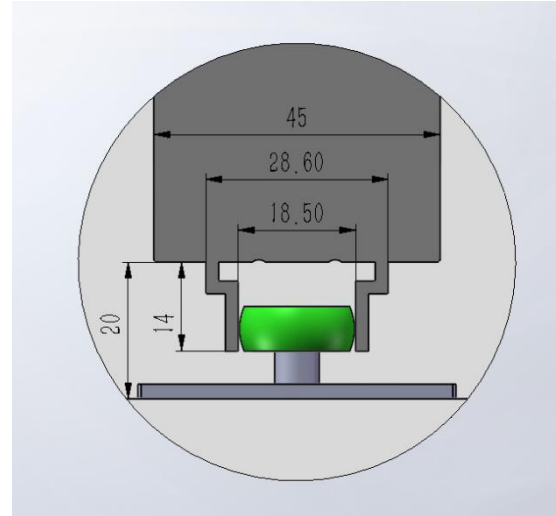
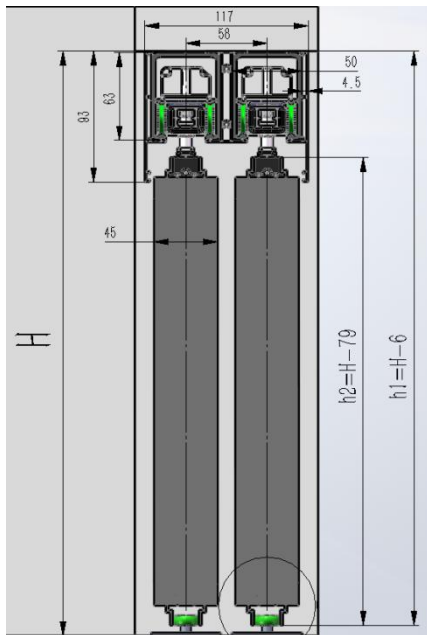
Top installation diagram



Hidden mounting diagram



5. Installation parameters

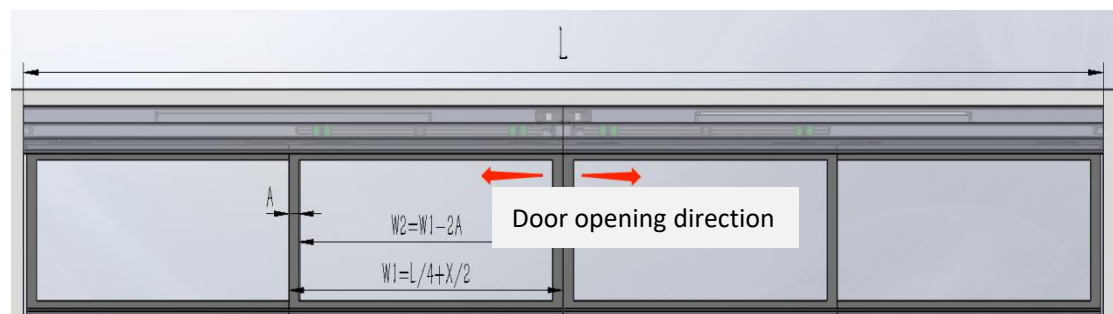


Calculation formula: frame size = Center distance+track width+two cover plate thickness
(The center distance and frame size can be adjusted according to requirements)

For example: center distance: 58mm, frame size: 117mm; cover plate thickness: 4.5mm
Then: Frame size 117mm = center distance 58 + track width 50 + cover plate thickness 4.5 * 2



Double-track single-open



Double-track double-open

W: Door panel width
L: Track length
X: Overlapping part of two doors
A: Door frame width