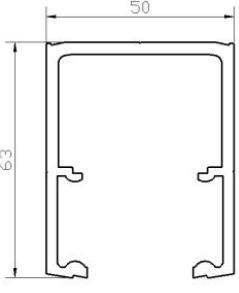
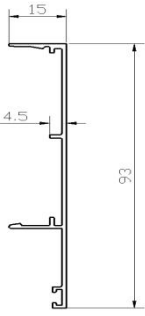
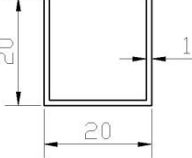
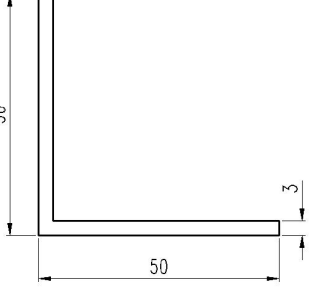
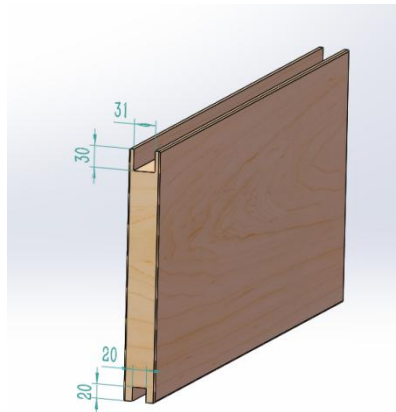


50*63 Single-track wooden hanging door installation instructions

1. Profile introduction

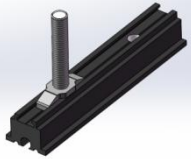
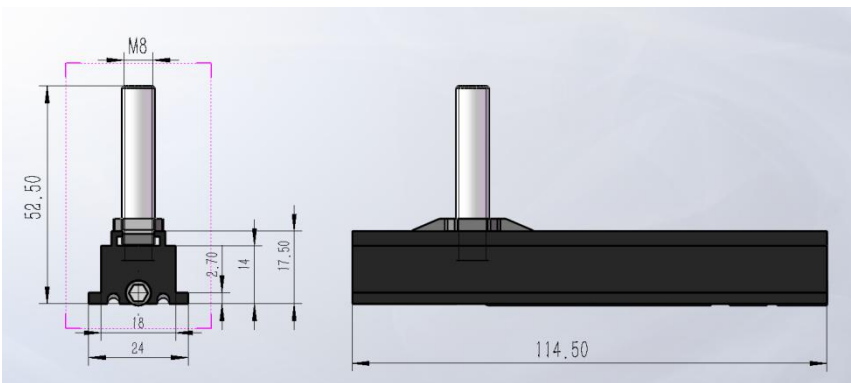

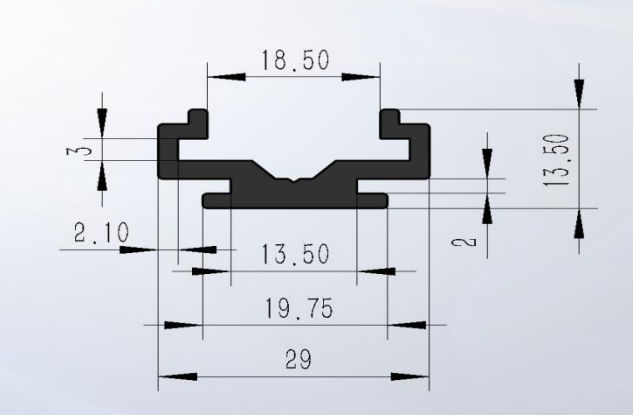
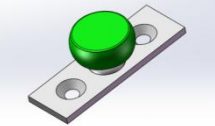
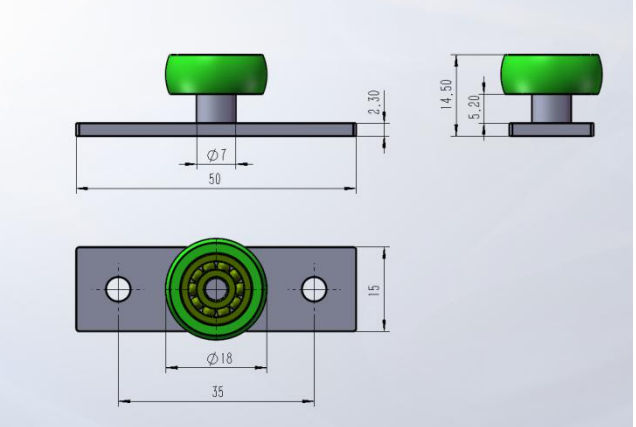
Track	Cover plate	Anti-swing wheel channel steel	Side mounting angle aluminum (optional)
			

2. Door panel view

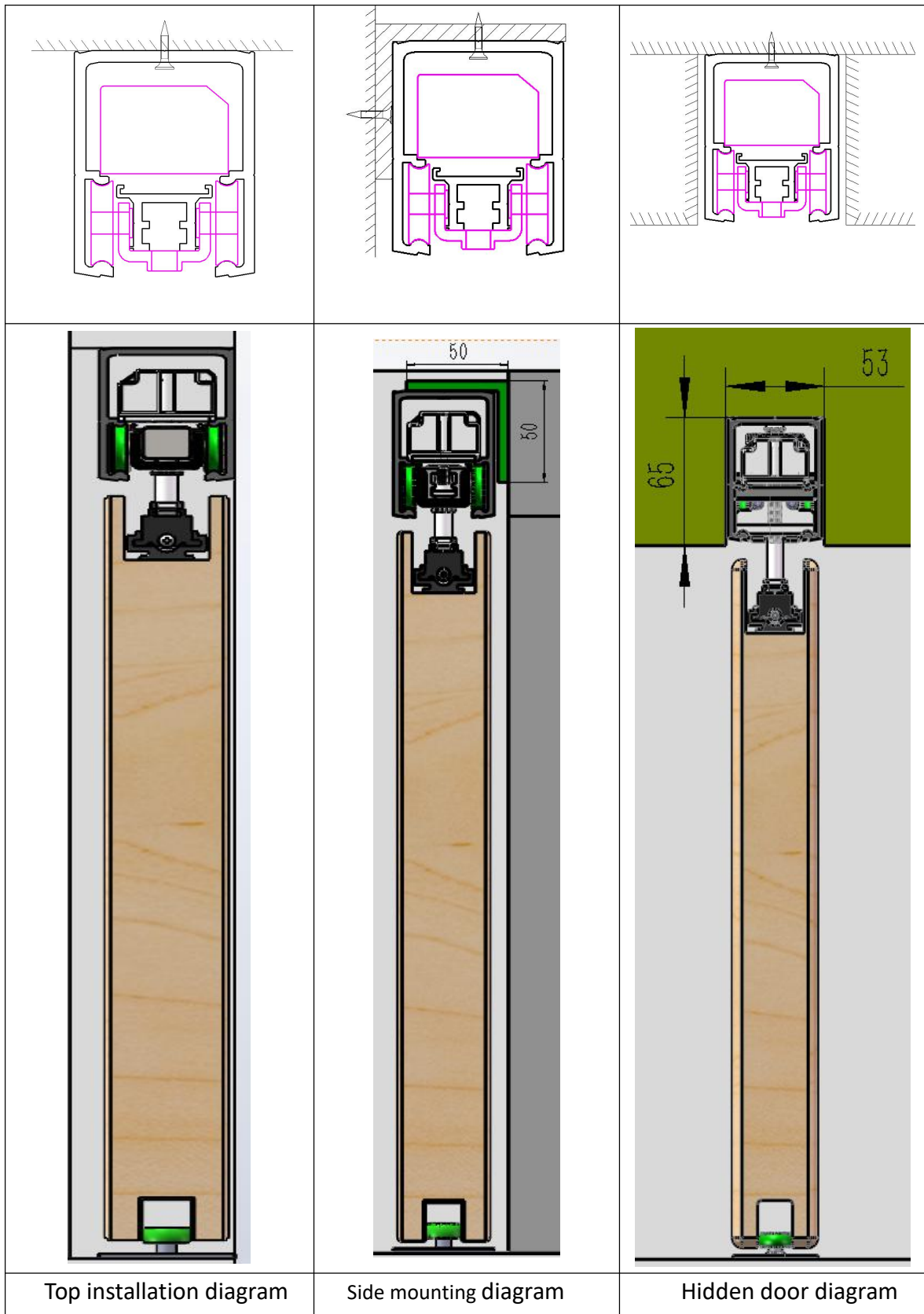


Wooden door

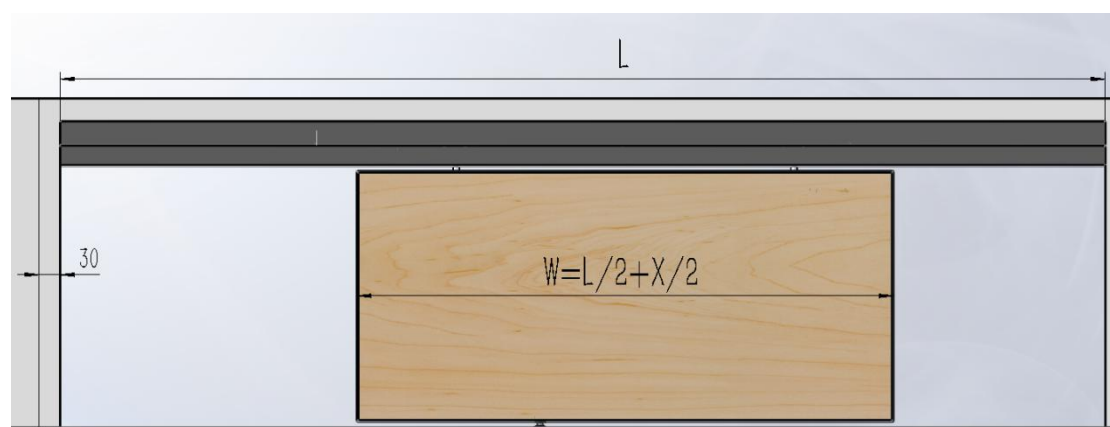
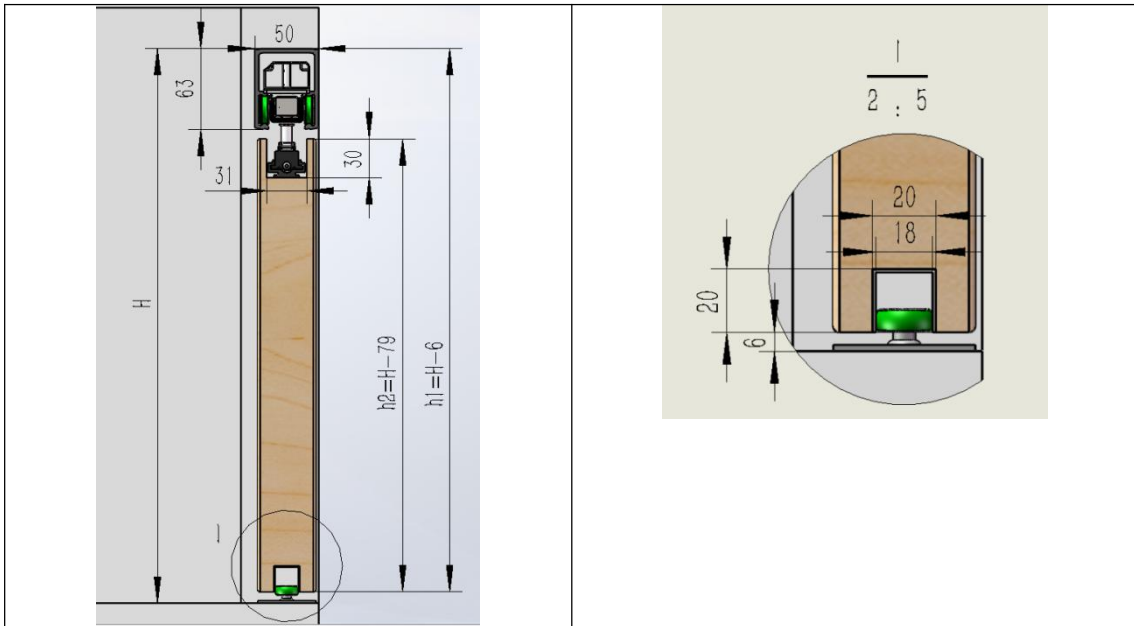
3.Accessory

 <p>25 Upper load-bearing hanger</p>	
 <p>25 Base</p>	
 <p>Anti-swing wheel</p>	

4. Installation mode



5. Installation parameters



Single-track single-open



Single-track double-open

W: Door panel width

L: Track length

X: Overlapping part of two doors