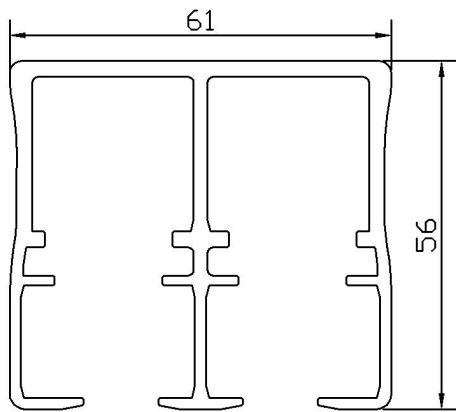


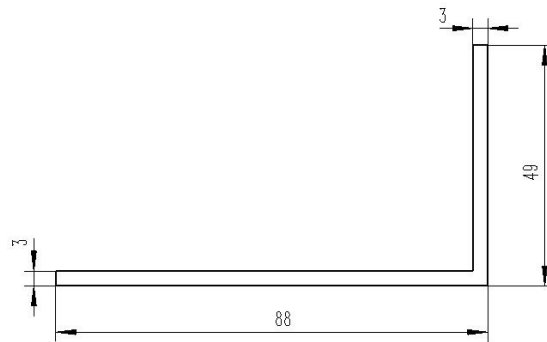
Curtain motor installation instructions

1.Profile introduction

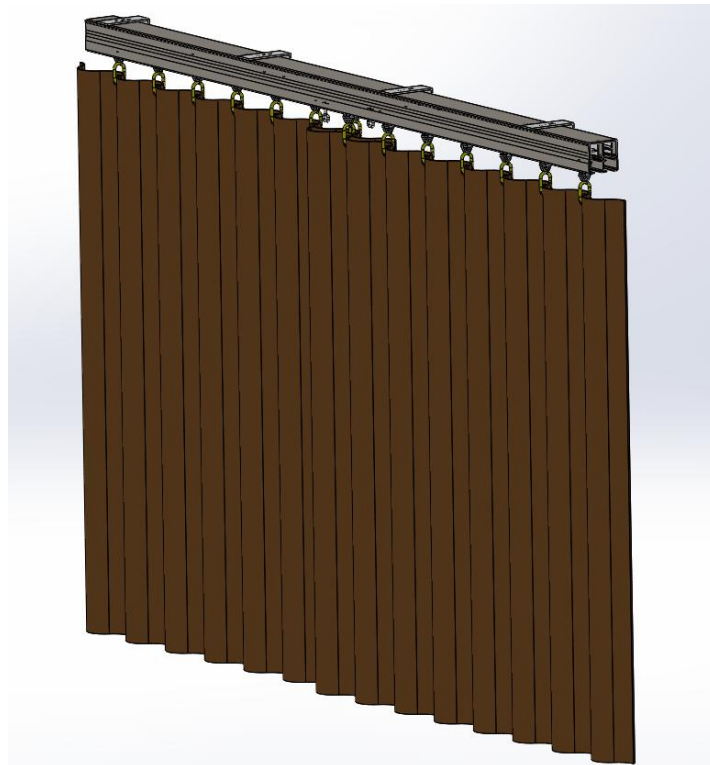
Track



Side mounting angle aluminum

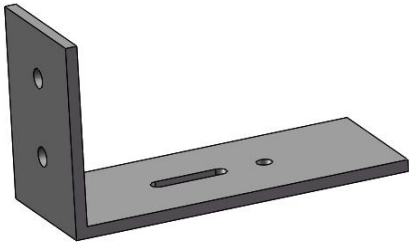


2.Effect diagram

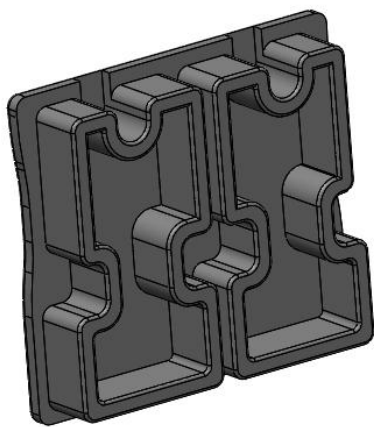
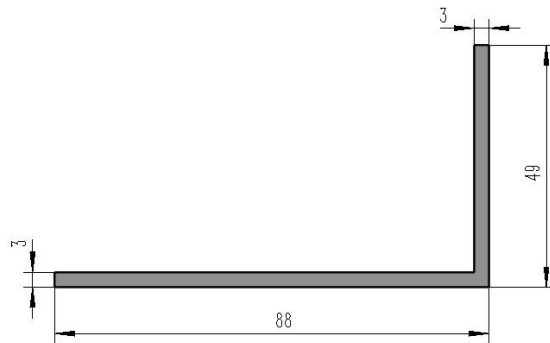


Auto Curtain

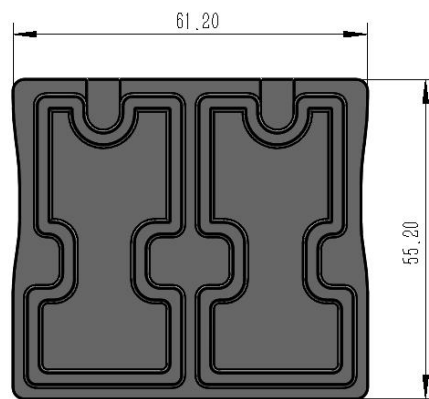
3.Accessory

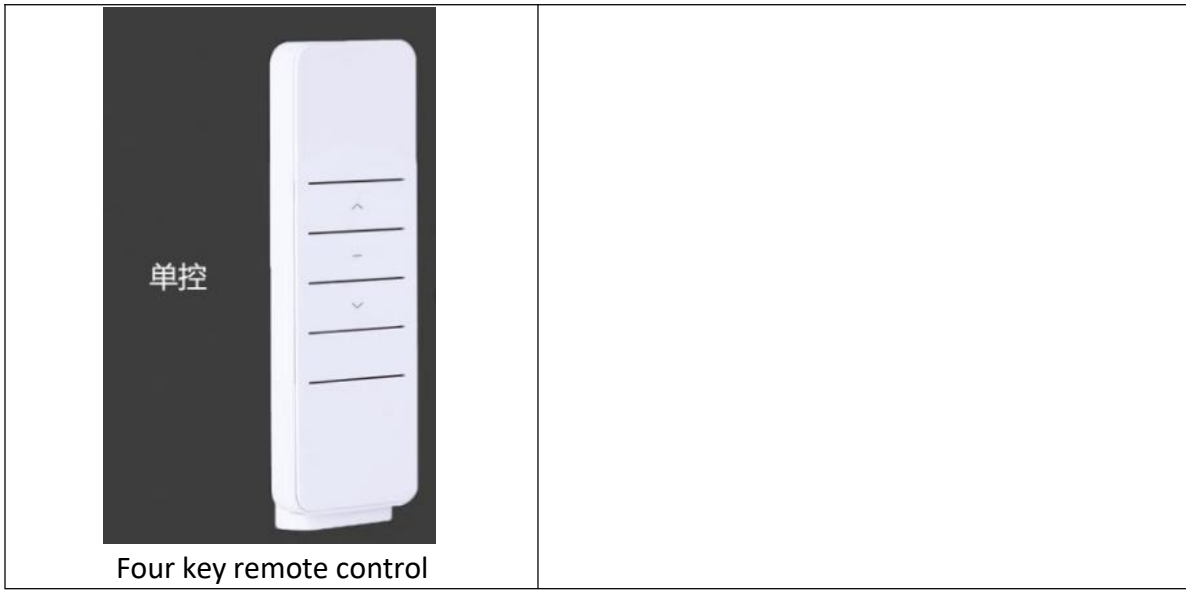


Side mounting angle aluminum

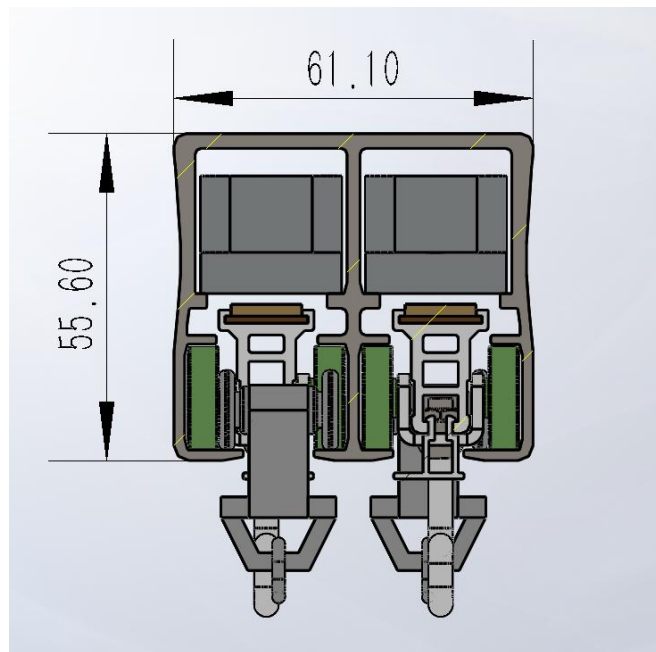


Decorative cover plate



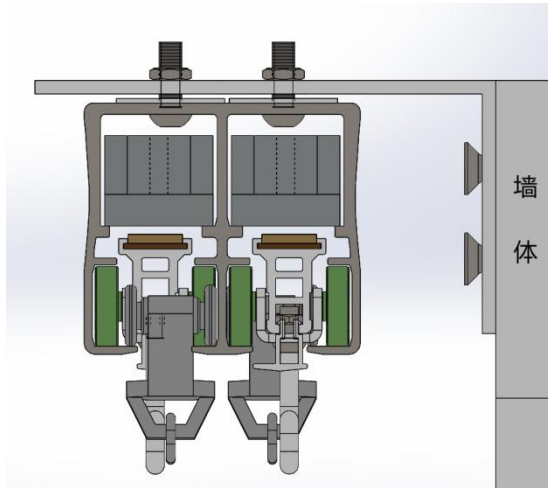


4.Product sectional view

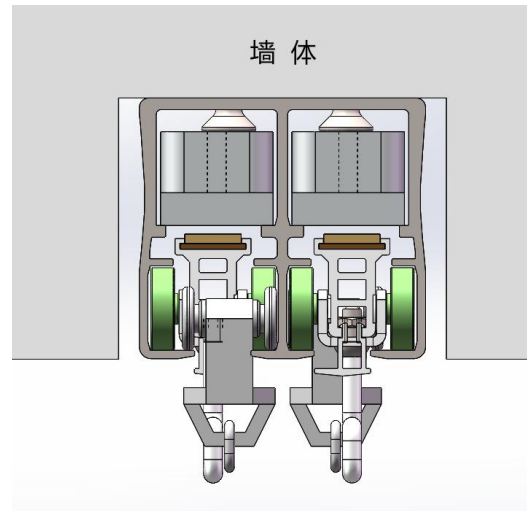


5.Installation mode

Side mounting diagram



Top installation diagram



1,Side mounting:

(1) Measure the distance between the angle aluminum above the track, then mark on the wall, mark the screw holes on the side of the angle aluminum on the installation wall, punch the installation holes, and insert the plastic screw sleeve.

(2) Loosen the nut on the angle aluminum on the track and remove the angle aluminum. Be careful do not to remove the screw.

(3) Install the angle aluminum on the wall and pay attention to its strength to prevent the track from falling off due to the force bearing screw.

(4) Note that the direction of the power cord is consistent with that of the power socket. Then connect the screws on the track with the angle aluminum

2,Top installation:

1) Remove the angle aluminum and screws above the track to expose the installation hole.

(2) Note that the direction of the power cord is consistent with that of the power socket. Fix the track directly above through self- tapping screws.