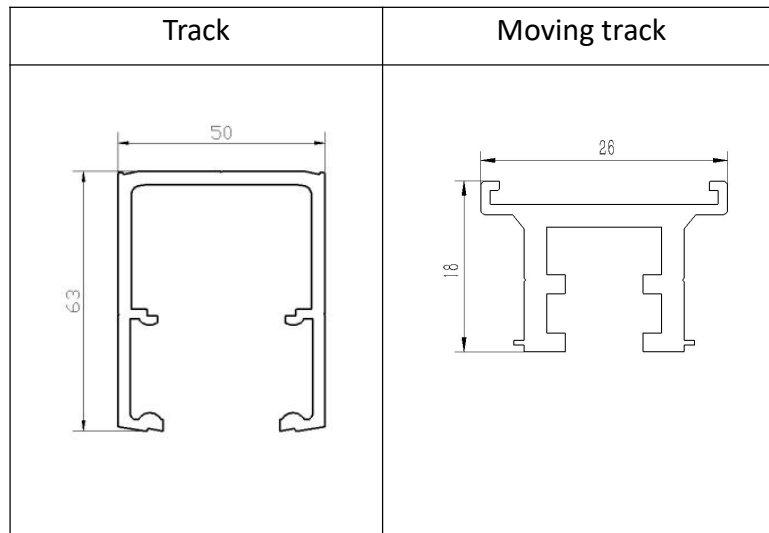


50*63 bus door installation instructions

1.Profile introduction

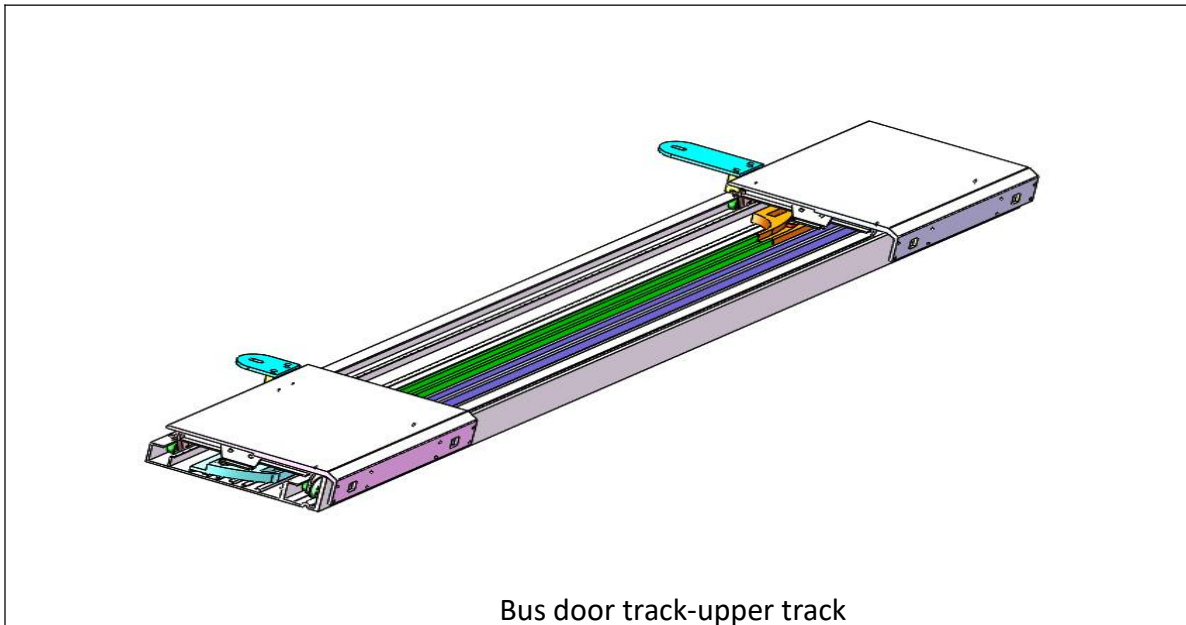


2.Door panel view

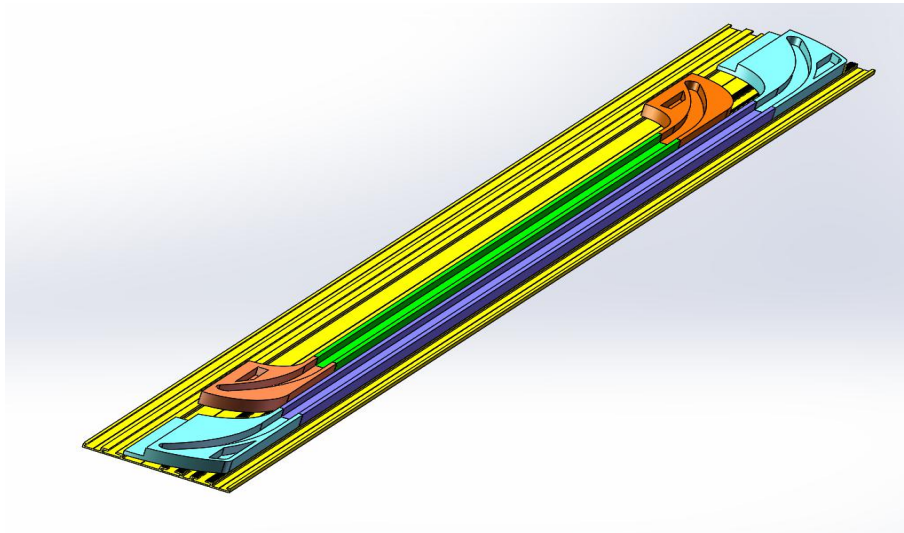


Bus door

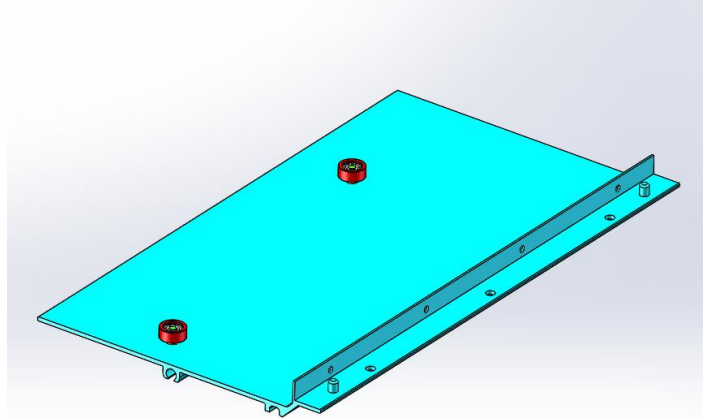
3 .Accessory



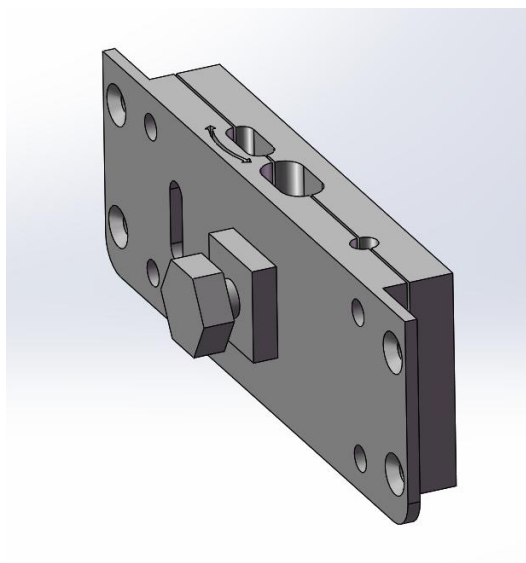
Bus door track-upper track



Bus door track-lower track

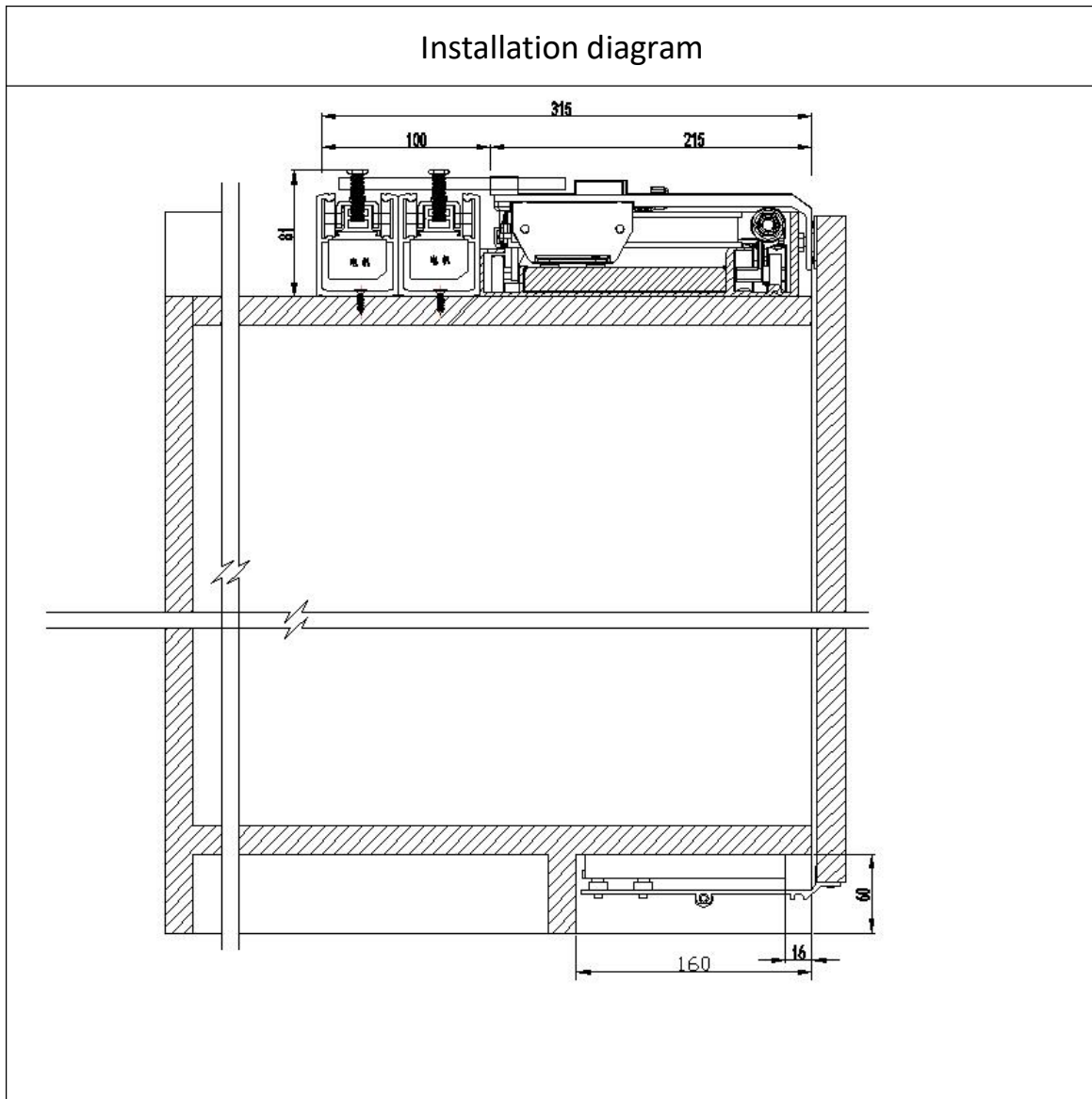


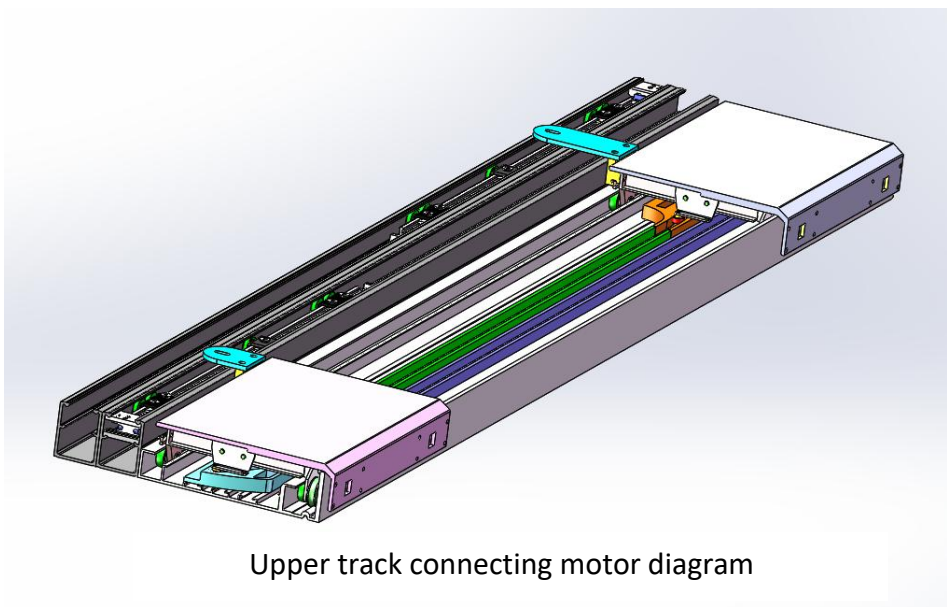
Bus door track-lower guide wheel



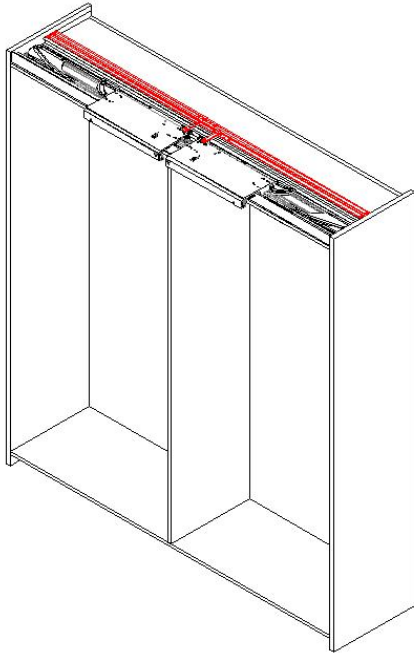
Adjusting hanging door alloy parts

4. Installation mode

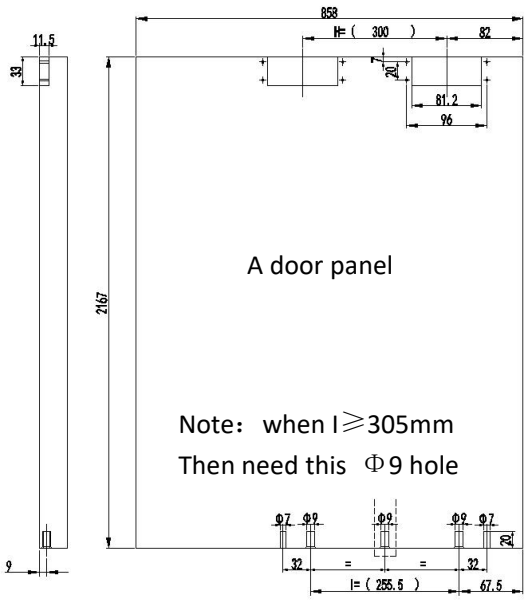




Upper track connecting motor diagram

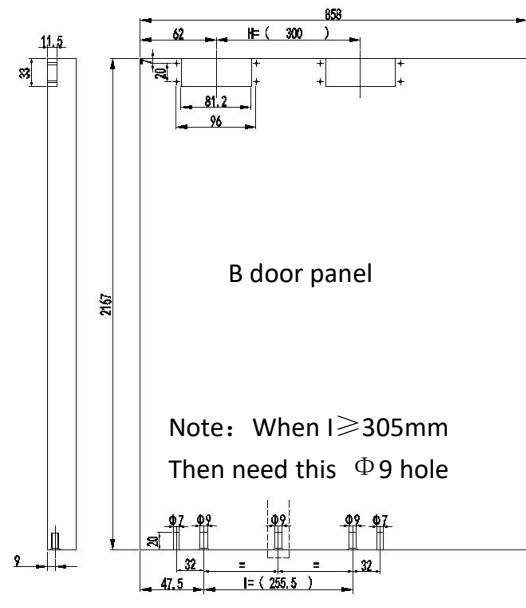


Upper truck installation



A door panel

Note: when $I \geq 305\text{mm}$
Then need this $\Phi 9$ hole

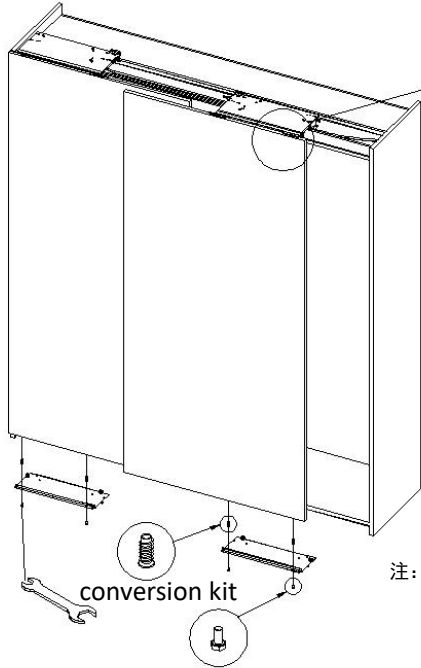


B door panel

Note: When $I \geq 305\text{mm}$
Then need this $\Phi 9$ hole

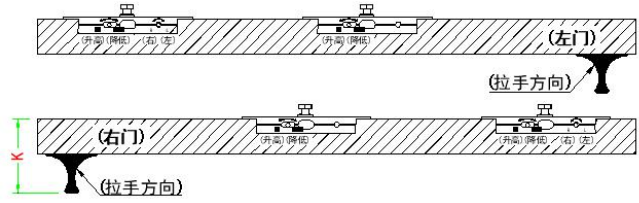
Door panel bore hole drawing (symmetry of left and right doors)

Door panel installation

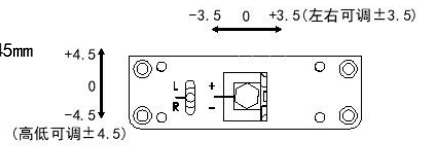


Note: when the right door moves left or the left door moves right, use a wrench to lock the screws.

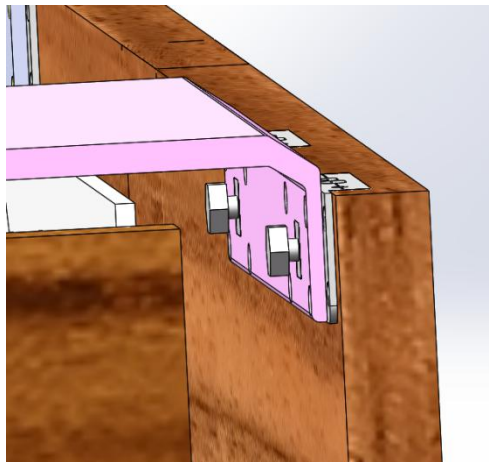
Description of zinc alloy regulator



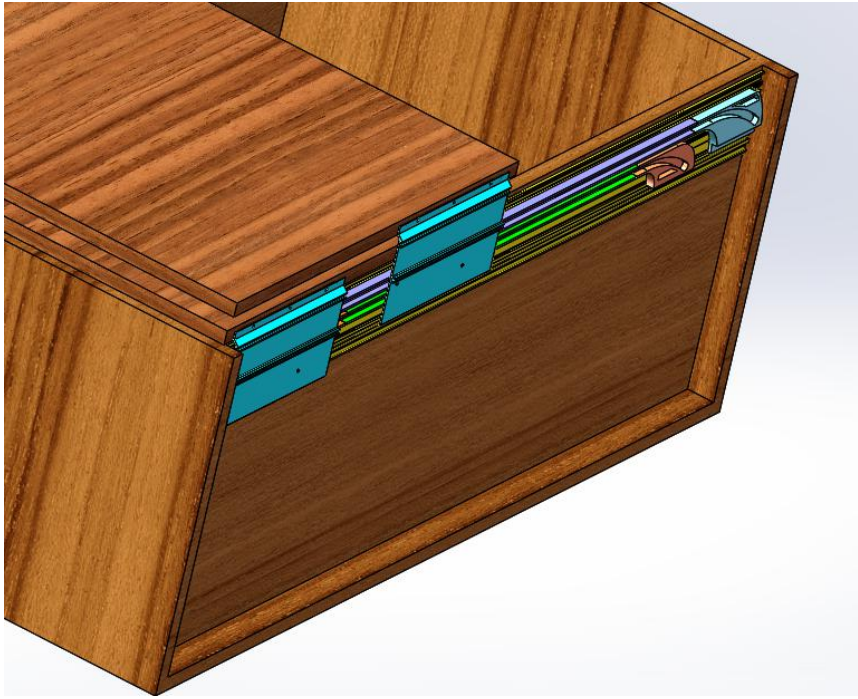
注：门厚加拉手高度的尺寸 $K \leq 45\text{mm}$



M6×12 outer Hexagonal studs



Door panel installation



Lower track installation